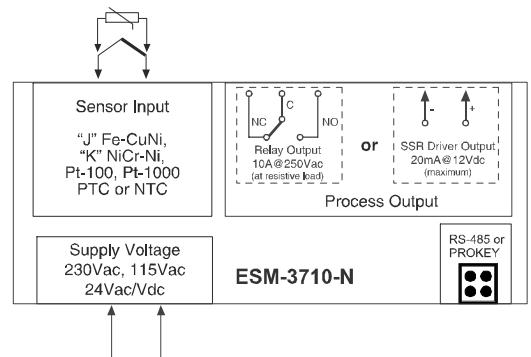




- 4 Digits Display
- NTC Input or PTC Input or J Type thermocouple Input or K Type thermocouple Input or 2-Wire PT-100 Input or, 2-Wire PT-1000 Input (Must be determined in order.)
- Adjustable temperature offset
- ON/OFF temperature control
- Selectable heating or cooling function
- Selection of operation with hysteresis
- Adjustable temperature offset
- Set value low limit and set value high limit boundaries
- Operation selection of compressor operates continuously, stops or operates periodically in case of sensor defect
- Compressor protection delays
- Adjustable internal buzzer according to sensor defect status.
- Password protection for programming section
- Installing parameters using Prokey
- Remote access, data collecting and controlling with Modbus RTU



Specifications

Input

- PTC: PTC (1KOhm @ 25°C)
- NTC: NTC (10KOhm @ 25°C)
- Thermocouple (TC): J, K (IEC 584.1) (ITS90)
- Thermoresistance (RTD): 2 wire PT-100, PT-1000 (IEC 751) (ITS90)

Output

- Control Output: Relay (10A@250V "for resistive load") or SSR Driver output (Maximum 20mA@12Vdc)
- ON/OFF hysteresis: It can be configured by the user.

Measurement Range

- 50 °C to 999 °C (refer to ordering information)
- Accuracy: ±1% of scale
- Cold Junction Compensation: Automatically ± 0.1°C/1°C
- Sensor Break Protection: Upscale
- Sampling Cycle: 3 samples per second

Supply Voltage

- 230Vac (±%15) 50/60Hz -1,5VA
- 115Vac (±%15) 50/60Hz -1,5VA
- 24Vac/dc (±%15) 50/60Hz -1,5VA
- 24Vac (±%15) 50/60Hz -1,5VA
- 10...30Vdc -1,5VA

Environmental Rating and Physical Specification

- Operation Temperature: 0...50°C
- Humidity: 0-90%RH (none condensing)
- Protection Class: IP65 at front, IP20 at rear

Dimensions

ESM-3710-N, 76x34,5mm, Depth:71mm